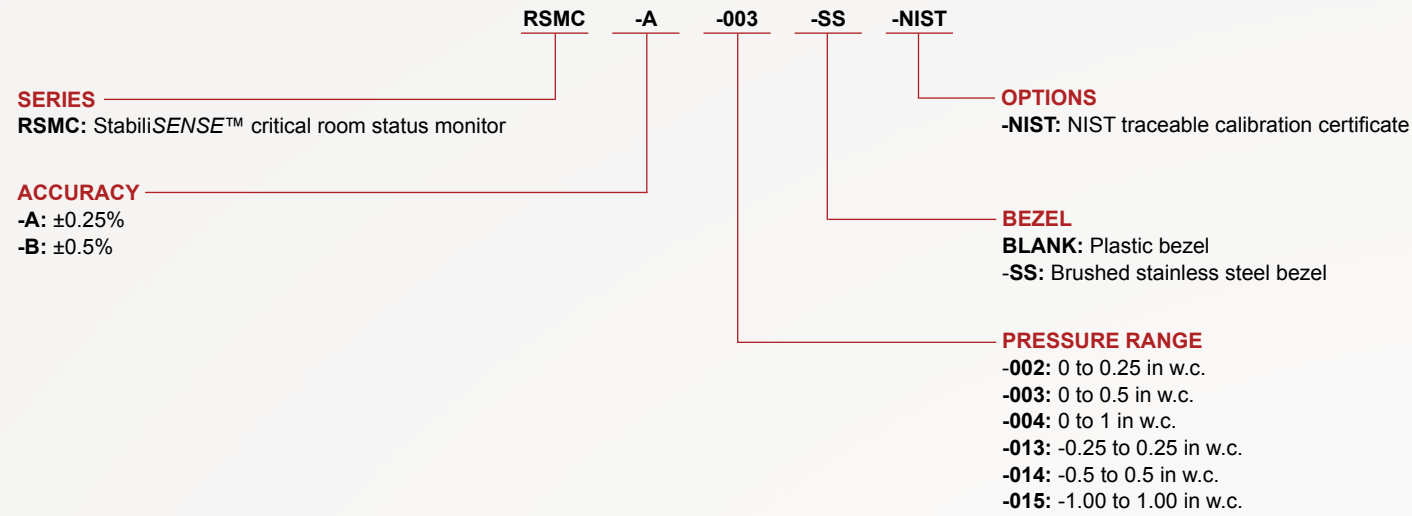


HOW TO ORDER

Use the **bold** characters from the chart below to construct a product code.



ACCESSORIES

Model	Description
A-220	Clear flexible vinyl tubing is easily inspected, and is therefore best for test applications where a possibility of fluid entering the tubing exists. 3/16" ID x 5/16" OD, lengths to 500'; 45 psi maximum pressure @ 73°F
A-285	Remote alarm annunciator with visible/audible alarm and acknowledge switch
A-417A	Static pressure pickup. For use in clean rooms, 60 micron filter picks up static pressure. Stainless steel wall plate fits 2" x 4" electrical box. Sealed with foam gasket, screws included. Barbed brass fitting holds 1/8" to 3/16" ID tubing
A-418A	Static pressure pickup. Room mount with Delta Style plastic enclosure fits 2" x 4" electrical box. Fine mesh screen hides static pressure pickup port. Clean connection to 1/8" to 3/16" I.D. tubing and pressure sensor. Sealed with foam gasket, screws included
A-465	Flush mount space pressure sensor, white plastic
A-RSMC-BOX	Surface mount box for RSMC Series

ORDER ONLINE TODAY!

dwyer-inst.com/Product/SeriesRSMC

Modbus® is a registered trademark of Schneider Automation, Inc.



DWYER INSTRUMENTS, INC.

©Copyright 2021 Dwyer Instruments, LLC
Printed in U.S.A. 12/21

DS-RSMC Rev. 5

Important Notice: Dwyer Instruments, LLC reserves the right to make changes to or discontinue any product or service identified in this publication without notice. Dwyer advises its customers to obtain the latest version of the relevant information to verify, before placing any orders, that the information being relied upon is current.



SERIES RSMC | STABILISENSE™ CRITICAL ROOM STATUS MONITOR



RSMC with standard plastic bezel



RSMC with stainless steel bezel option



Green edge light



Yellow edge light



Red edge light

BENEFITS/FEATURES

- Long-term stable pressure measurements
- User-configurable graphical interface
- Monitors up to 3 rooms with a single unit
- Displays up to 4 parameters including pressure, relative humidity, temperature, air change, and/or door status
- Allows for flush installation in walls with space constraints with the shallow mounting depth of 1.1" (27.5 mm)
- Color-changing edge light and full color 4.3" touchscreen LCD incorporate color status indication: green for good, yellow for warning, and red for alarm
- Easy-to-clean optional brushed stainless steel bezel
- BACnet MS/TP and Modbus® RTU communications
- Includes RSMC, junction box, factory calibration certificate, and USB-C/USB-A flash-drive

APPLICATIONS

- Hospital isolation rooms
- Pharmaceutical facilities
- Dental offices
- School nurse offices
- Semiconductor manufacturing facilities

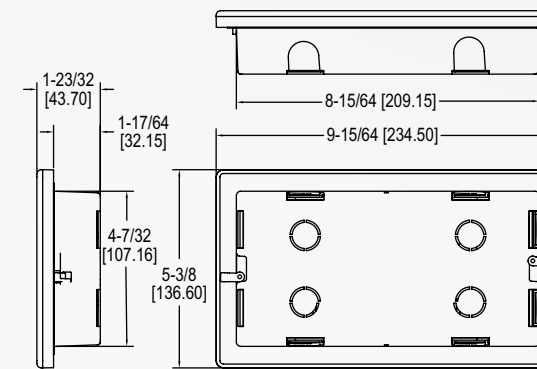
DESCRIPTION

The **Series RSMC StabiliSENSE™ Critical Room Status Monitor** is designed for critical low differential pressure applications that require stringent pressure monitoring and alarming. It can be configured to monitor positive or negative pressure in clean rooms, hospital isolation rooms, school nurses offices, laboratories, and vivariums. The RSMC is a complete system with a touchscreen graphical user interface which enables access to pressure, humidity, temperature, air change, security, door status, calibration, and alarm setup. The edge light ring and graphical display color changes allow a clear determination of when the parameters are operating within the acceptable range (green), caution range (yellow), or have gone outside the acceptable operating range (red). The RSMC StabiliSENSE™ critical room status monitor comes standard with BACnet MS/TP and Modbus® RTU communications.

SPECIFICATIONS

Service	Air.
Measurement Technology	Capacitance cell pressure sensor.
Wetted Materials	Front: PMMA window with IP65 rating. Back housing: Fire-proof ABS+PC UL 94 V-0.
Pressure Limits	1.5 psig.
Accuracy	±0.25% RSS (includes non-linearity: ±0.24% BFSL, hysteresis: ±0.05% and non-repeatability: ±0.05%), or ±0.5% RSS (includes non-linearity: ±0.49% BFSL, hysteresis: ±0.05% and non-repeatability: ±0.05%).
Process Connection	Barbed, fits 1/8" and 3/16" (3 mm and 5 mm) ID rubber or vinyl tubing.
Inputs	Two (2) user-selectable 4-20 mA, 0-5 VDC, or 0-10 VDC; USB type C used for cloning programming; One (1) digital input for door status.
Outputs	One (1) digital output (DO) rated 5 A @ 30 VDC; One (1) 4-20 mA or 0-10 V (user selectable) corresponding to internal pressure or retransmission of any input.
Ambient Temperature Limits	32 to 122°F (0 to 50°C).
Power Requirements	24 VAC/VDC.
Selectable Pressure Units	Pa, kPa, cm w.c., mm w.c., and in w.c.
Temperature Units	°F and °C.
Zero and Span Adjustments	Adjustable via touchscreen.
Power Consumption	24 VAC/VDC.
Electrical Connection	Removable terminal block.
Display	4.3" (10.9 cm) color TFT LCD, dimmable; 480 x 272 resolution and edge light indication.
Communications	Modbus® RTU, BACnet MS/TP.
Audible Alarm	69.1 dB 10 cm from display.
Weight	1.05 lb (0.476 kg).
Approvals	BTL, CE.

DIMENSIONS



WIRING DIAGRAM

